

THE BLADE SNOWFIRE SPECIFICATIONS



Made In America,
By America

The Blade SnowFire...

For Machines Starting at 5,000 lbs	SB 72	SB96	SB108	SB120
Blade Width	6'	8'	9'	10'
Blade Width at Full Angle	59"	79"	88.5"	98.25"
Oscillation (Degrees/Inches) each end	6° / 7.5"	6° / 10"	6° / 11.25"	6° / 12.5"
Moldboard Radius	15.5"	15.5"	15.5"	15.5"
Moldboard Gauge / Steel Grade	10 ga. / Grade 50	10 ga. / Grade 50	10 ga. / Grade 50	10 ga. / Grade 50
SnowKage Cam Lock Brackets	Optional Bolt On	Optional Bolt On	Optional Bolt On	Optional Bolt On
Snow Kage Hydro Lock Brackets (Tractor)	Optional Bolt On	Optional Bolt On	Optional Bolt On	Optional Bolt On
Universal Skid Steer Attachment Plate	Standard	Standard	Standard	Standard
Trip Springs	4 Compression	4 Compression	4 Compression	4 Compression
Machine Size Rec.	5,000+	6,000+	6,500+	7,000+
Cutting Edge	5/8" x 6" High Carbon	5/8" x 6" High Carbon	5/8" x 6" High Carbon	5/8" x 6" High Carbon
Cross-Over Relief Valve	Optional	Standard	Standard	Standard
Pivot Frame Length	Shortened (25")	Standard Length (31")	Standard Length (31")	Standard Length (31")
Weight	897#	1021#	1078#	1135#
Cylinders (2)	1.5" Rod	1.5" Rod	1.5" Rod	1.5" Rod
Blade Height	29.5"	29.5"	29.5"	29.5"



Manufactured By:

Kage Innovation LLC

22200 Meadowbrook Ave. N

Scandia, MN 55073

651 433 4628

www.kageinnovation.com

Email: info@kageinnovation.com

©2010 Kage Innovation LLC

Kage Innovation reserves the right to make changes to improve product

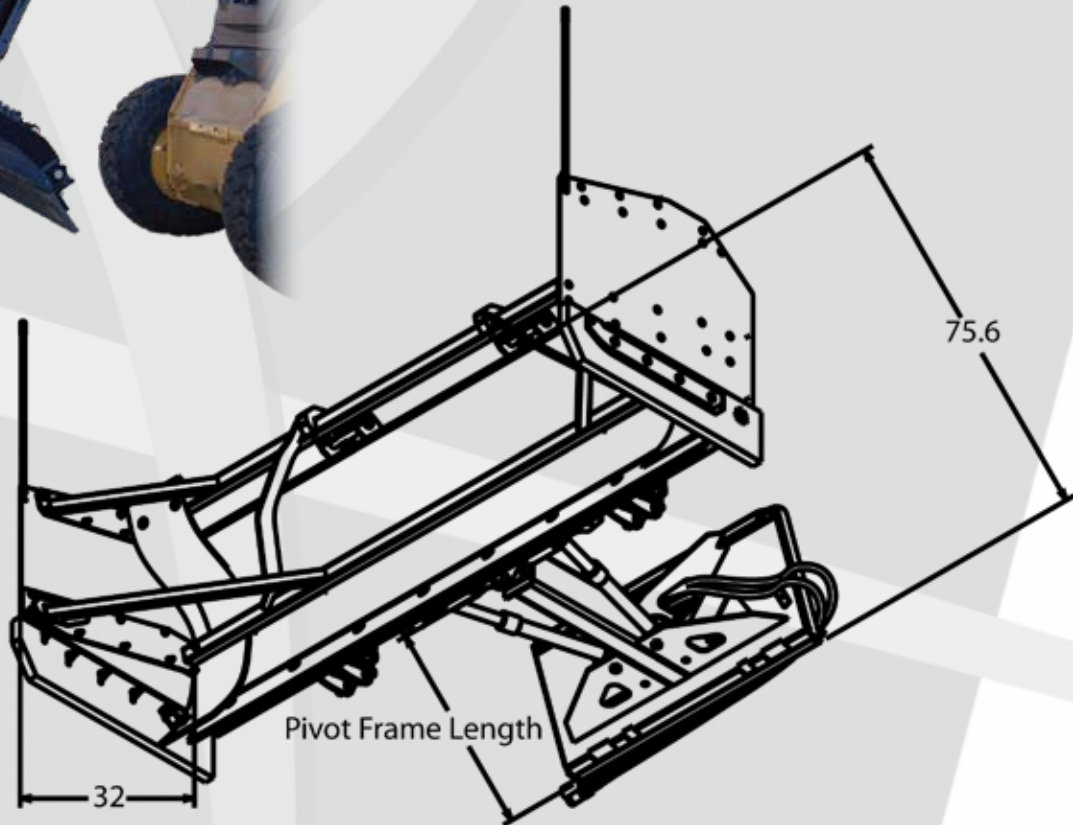
SNOWKAGE SNOWFIRE SPECIFICATIONS



Made In America,
By America

Snow Kage SnowFire...

For Machines Starting at 5,000 lbs	SK72	SK96	SK108	120
Overall Height	38"	38"	38"	38"
Overall Width	80"	104"	116"	128"
Replaceable Side Panels	Yes	Yes	Yes	Yes
Hook Thickness (skid steer model only)	1.5"	1.5"	1.5"	1.5"
Replaceable Polyurethane Skids	Standard	Standard	Standard	Standard
Weight	357	377	387	397
Machine Size Recommended	5,000+	6,000+	6,500+	7,000+
Overall Width At 35 Deg. Angle	85.8"	105.4"	115.3"	123.2"



Manufactured By:

Kage Innovation LLC

22200 Meadowbrook Ave. N

Scandia, MN 55073

651 433 4628

www.kageinnovation.com

Email: info@kageinnovation.com